

*Shape.
Join.
Look ahead.*

Tube end processing

*Tube end processing in
connection with flexible tube
manufacturing systems*

weil 
technology

A brand of weil engineering gmbh

*Machinery and equipment
for innovative forming,
cutting and joining systems*

A push into a new dimension of connection with flexible tube n

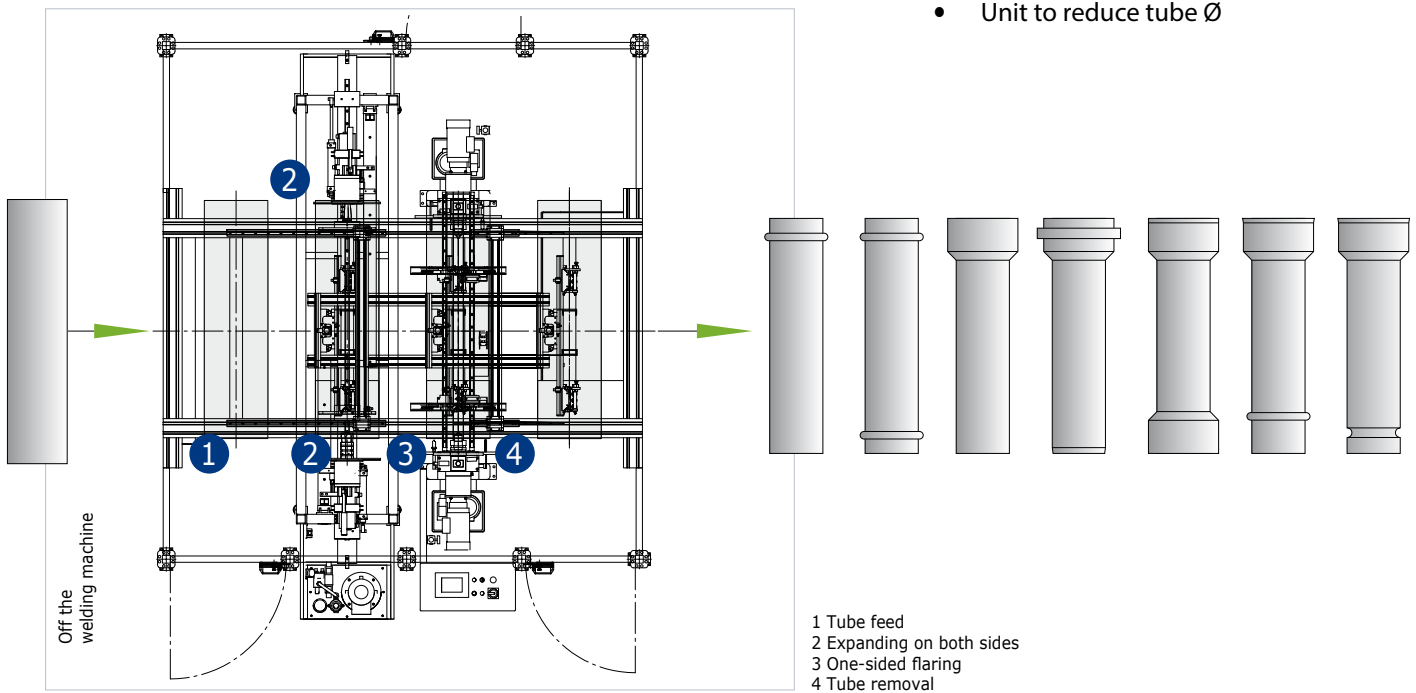


The integration of tube end processing together with a longitudinal welding machine allows for fully automated processing from sheet to finished product.

The transport system, a portal construction, loads and unloads the processing stations in time with the cycling of the longitudinal welding machine.

The following tube end processing modules are available:

- Expander (1- or 2-sided)
- Beading machine (1- or 2-sided)
- Unit to reduce tube \varnothing



Example configuration

of tube end processing in manufacturing systems



Alternating production, with different tube diameters and the simultaneous processing of the inner and outer tube, is possible.

The advantage of alternating production lies in the optimised logistics process:

- Low stock levels
- Very high supply flexibility

Tube end processing options are configured at the request of the client.

Tube end processing REB	
Diameter	Ø 80 - 400 mm
Tube length	250 - 1250 mm
Material thickness	0,4 - 1,0 mm
Material	Steel, coated and stainless steel
Cycle times	Ø 100: 25 s* Ø 200: 28 s* Ø 400: 34 s
Changeover times	From Ø 100 up to Ø 400: 6 minutes From Ø 80 up to Ø 100: 12 minutes

*With lengths under 500 mm, the cycle times increase to 30 s because the flaring processes are performed one after the other.



*weil engineering gmbh
Headquarters Müllheim
Plant 2*



weil engineering gmbh

*Neuenburger Str. 23
79379 Müllheim
Germany*

*+49 7631 1809-0 Phone
+49 7631 1809-149 Fax*

*info@weil-engineering.de
www.weil-engineering.de*

*Weil Engineering
North America LLC*

*25909 Meadowbrook Road
Novi, MI 48375
USA*

*+1 248 344 2211 Phone
+1 248 344 2220 Fax*

*info@weilengineering.com
www.weilengineering.com*

SCHAAL engineering GmbH

*Postweg 27
73084 Salach
Germany*

*+49 7162 9607-0 Phone
+49 7162 9607-77 Fax*

*info@schaal-engineering.de
www.schaal-engineering.de*

Weil Machinery (Shanghai) Co., Ltd.

*10th Floor, Room 1003
No. 381 Huaihai Zhong Road
Huangpu District
200020 Shanghai*

*+ 86 21 6391 5865 Telefon
+ 86 21 6391 5869 Fax
+ 86 158 0177 6073 Mobile*

*info@weil-machinery.cn
www.weil-machinery.cn*

weil 
technology
A brand of weil engineering gmbh